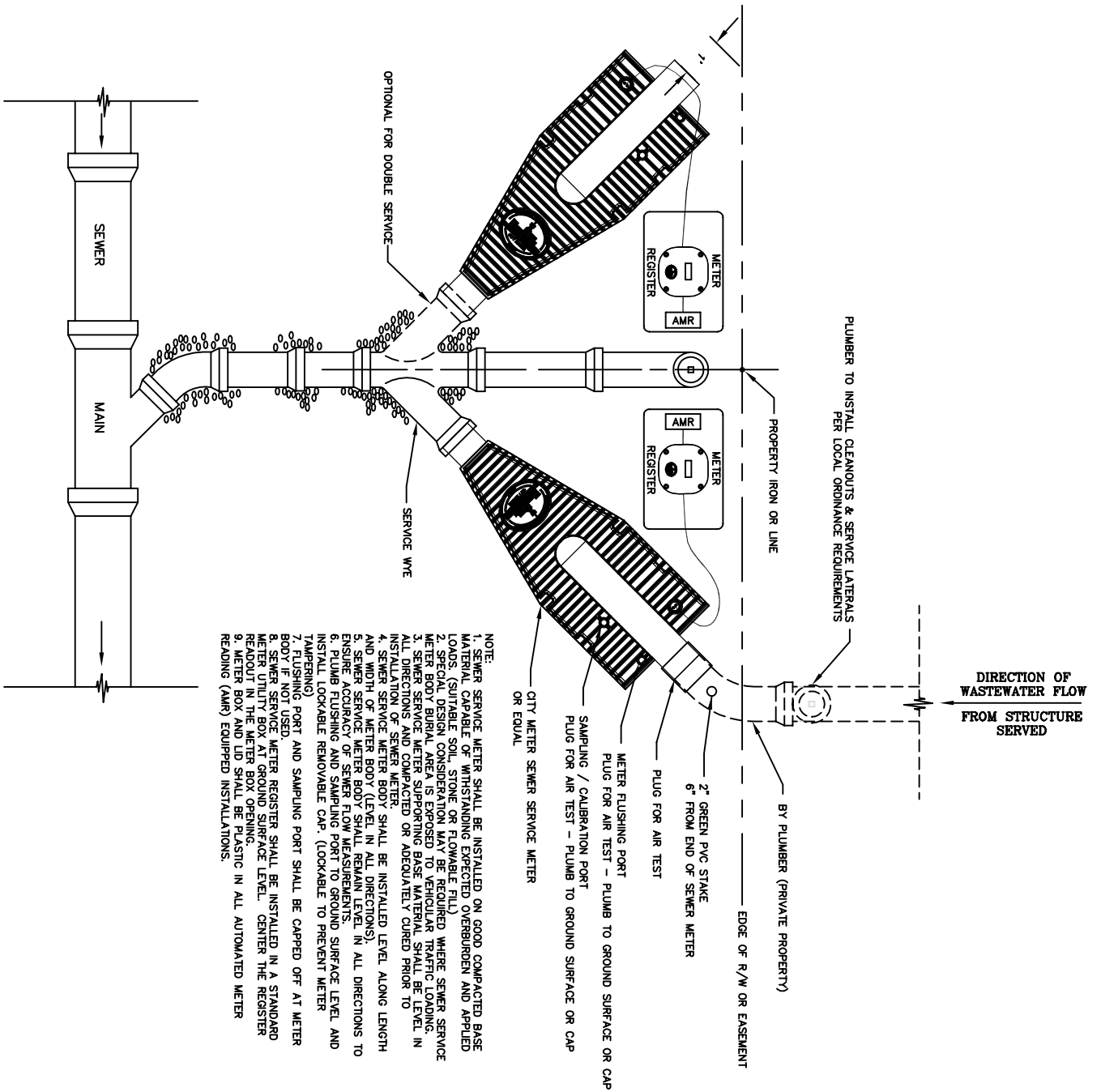


- NOTES:
1. BASE MATERIAL SHALL BE LEVEL IN BOTH DIRECTIONS, COMPACTED AND PROVIDE ADEQUATE SUPPORT FOR METER.
  2. SEWER METER SHALL BE INSTALLED LEVEL IN BOTH DIRECTIONS (FRONT TO BACK & SIDE TO SIDE) USING A CALIBRATED BUBBLE LEVEL. SEWER METER SHALL BE SUPPORTED IN FULL BY ADEQUATE LOAD BEARING MATERIAL.
  3. SEWER METER IS DESIGNED FOR DIRECT BURIAL TO DEPTHS UP TO 10' DEEP. METER MAY BE BURIED DEEPER WITH SPECIAL ENGINEERING DESIGN CONSIDERATION AND ORDER OF INCREASED LENGTH REGISTER CONTROL WIRE.
  4. SEWER METER WAS NOT DESIGNED FOR DIRECT TRAFFIC LOADING. SPECIAL ENGINEERING DESIGN CONSIDERATION SHALL BE GIVEN TO METER INSTALLATION WHERE DIRECT TRAFFIC LOADING IS EXPECTED.
  5. SEWER METER BODY SAMPLING/CALIBRATION PORT AND FLUSHING PORT MAY BE PIPED TO GROUND SURFACE LEVEL AND CAPPED USING A LOCKABLE SEALING CAP. LOCKING CAP SHALL BE USED TO PREVENT METER TAMPERING. ALTERNATIVELY, METER SAMPLING/CALIBRATION PORT AND FLUSHING PORT MAY BE CAPPED AT METER BODY.

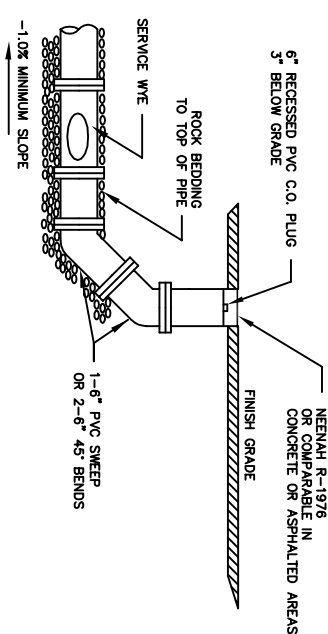
**TYPICAL SEWER SERVICE CONNECTION WITH SEWER SERVICE METER**

N.T.S.

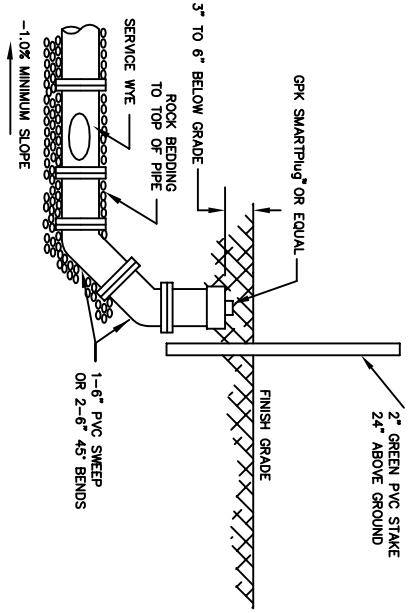


- NOTE:
1. SEWER SERVICE METER SHALL BE INSTALLED ON GOOD COMPACTED BASE MATERIAL CAPABLE OF WITHSTANDING EXPECTED OVERBURDEN AND APPLIED LOADS. (SUITABLE SOIL, STONE OR FLOWABLE FILL)
  2. SPECIAL DESIGN CONSIDERATION MAY BE REQUIRED WHERE SEWER SERVICE METER BODY BURIAL AREA IS EXPOSED TO VEHICULAR TRAFFIC LOADING.
  3. SEWER SERVICE METER SUPPORTING BASE MATERIAL SHALL BE LEVEL IN ALL DIRECTIONS AND COMPACTED OR ADEQUATELY CURED PRIOR TO INSTALLATION.
  4. SEWER SERVICE METER BODY SHALL BE INSTALLED LEVEL ALONG LENGTH AND WIDTH OF METER BODY (LEVEL IN ALL DIRECTIONS)
  5. SEWER SERVICE METER BODY SHALL REMAIN LEVEL IN ALL DIRECTIONS TO ENSURE ACCURACY OF SEWER FLOW MEASUREMENTS.
  6. PLUMB FLUSHING AND SAMPLING PORT TO GROUND SURFACE LEVEL AND INSTALL LOCKABLE REMOVABLE CAP. (LOCKABLE TO PREVENT METER TAMPERING)
  7. FLUSHING PORT AND SAMPLING PORT SHALL BE CAPPED OFF AT METER BODY IF NOT USED.
  8. SEWER SERVICE METER REGISTER SHALL BE INSTALLED IN A STANDARD METER UTILITY BOX AT GROUND SURFACE LEVEL. CENTER THE REGISTER REAR END IN THE METER BOX OPENING.
  9. METER BOX AND METER SHALL BE PLASTIC IN ALL AUTOMATED METER READING (AMR) EQUIPPED INSTALLATIONS.

**CLEANOUT IN PAVEMENT**

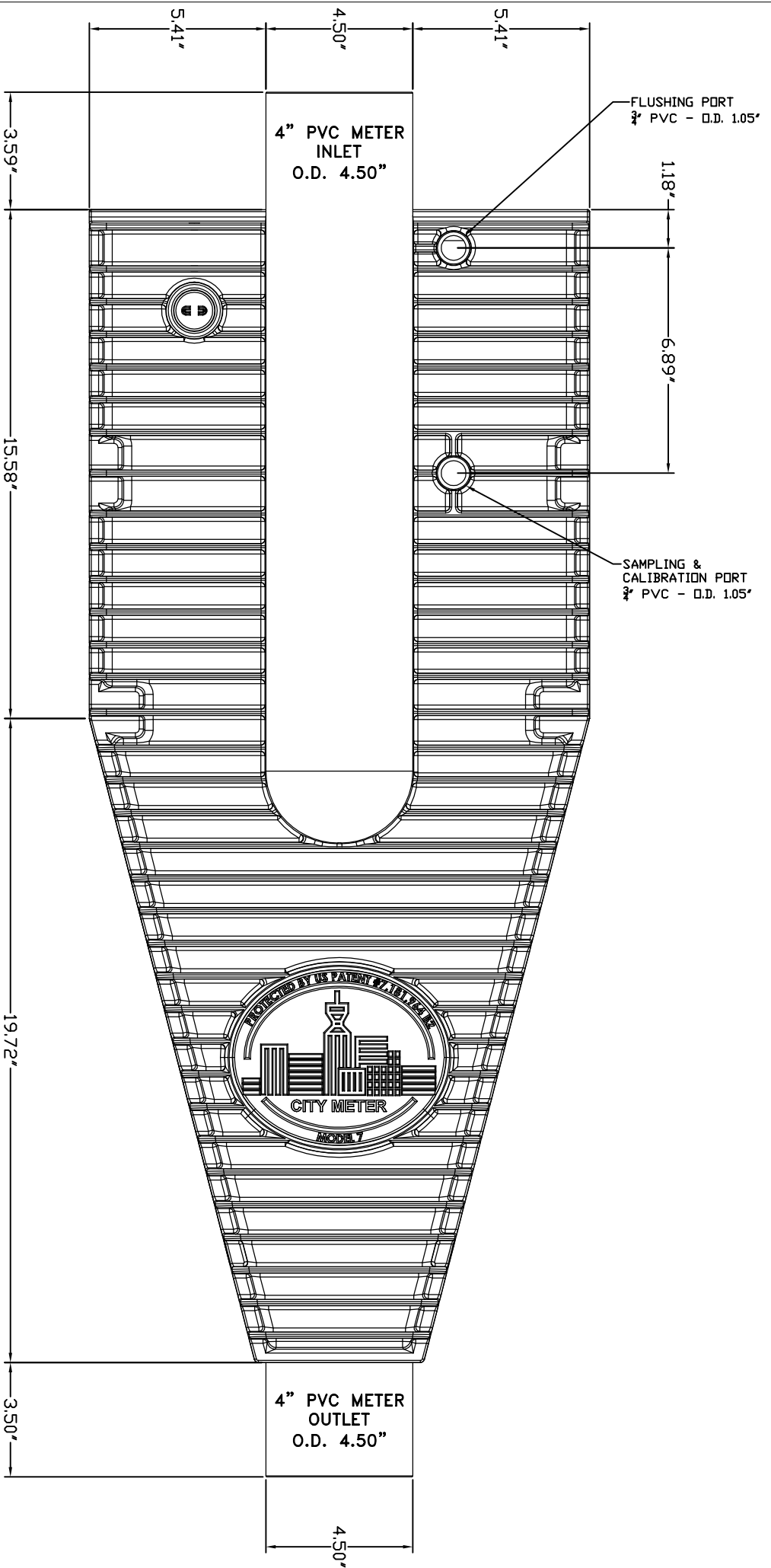


**CLEANOUT IN LANDSCAPED AREA**



**SEWER SERVICE, SEWER METER AND CLEANOUT INSTALLATION**

N.T.S.

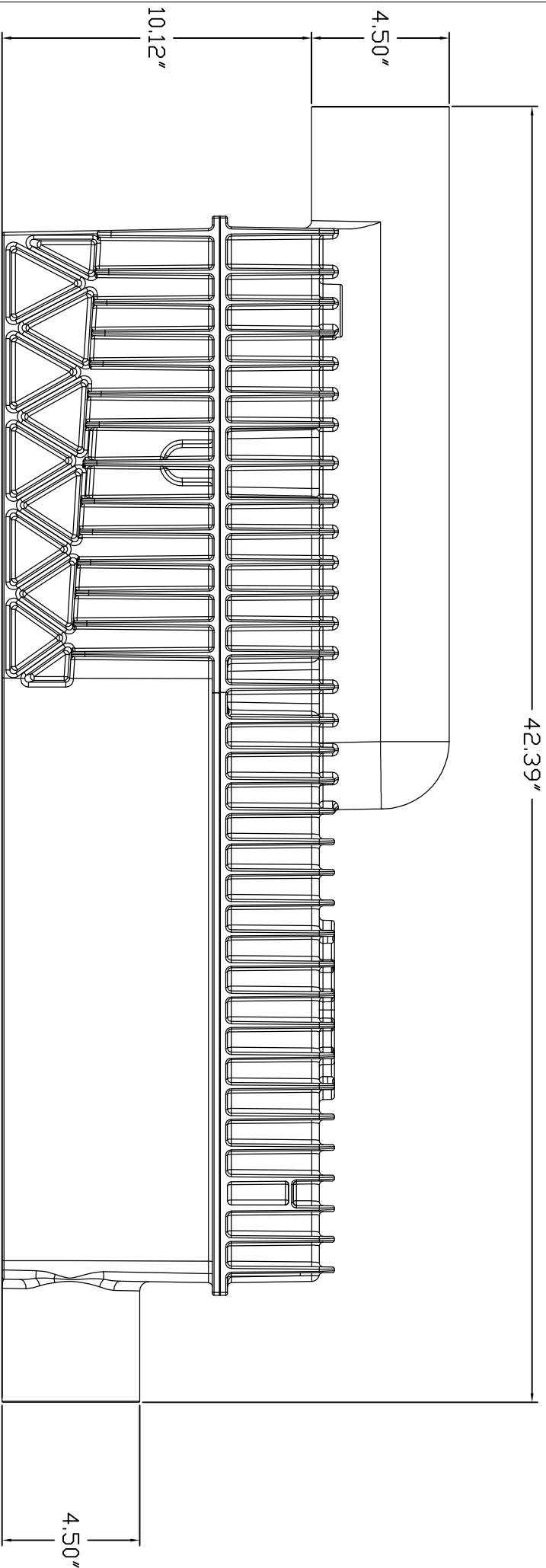


CITY METER SEWER SERVICE METER

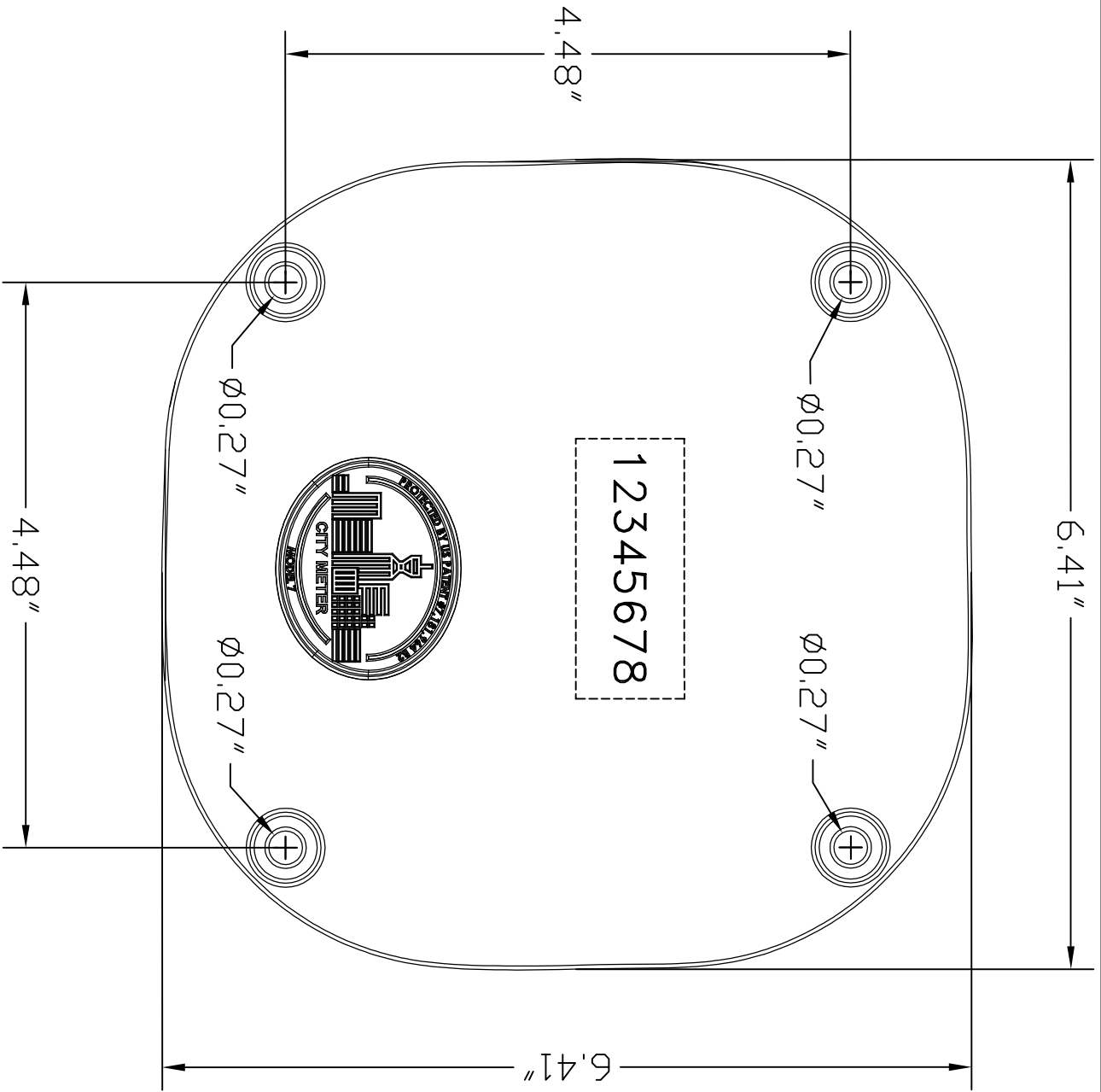
METER BODY

TOP VIEW

N.T.S.



CITY METER SEWER SERVICE METER  
METER BODY  
LEFT SIDE VIEW  
N.T.S.



CITY METER SEWER SERVICE METER

REGISTER

TOP VIEW

N.T.S.

Corporate Office:  
 122 Industrial Drive  
 Orangeburg, SC 29115  
 (803) 533-1681  
 (803) 533-1689 Fax  
[www.City-Meter.com](http://www.City-Meter.com)



## **EXCLUSIVE LIMITED WARRANTY**

City Meter, Inc. reserves the right to deny any warranty claim if it is reasonably determined that the meter or its parts has been subjected to accident, or used, adjusted, altered, handled, abused, maintained, stored or installed other than as directed in City Meter, Inc. supplied installation and operating instructions, or if non-genuine City Meter parts are installed in or on the meter and are determined to be a possible cause of the incident for which the warranty application is filed.

City Meter, Inc. may change the construction of meters or its appurtenances at any time without incurring any obligation to incorporate such alterations in meters or parts previously sold.

This limited warranty is exclusive and in lieu of all other warranties and representations, expressed or implied or statutory, whether written or oral, including but not limited to any warranty of merchantability or fitness for any particular purpose, and any implied warranty arising from any course of performance or dealing or trade usage. This warranty is also in lieu of any other obligation, liability, right or claim, whether in contract or in tort, including any right in strict liability in tort or any right arising from negligence on the part of City Meter, Inc., and City Meter's liability on such claim shall in no case exceed the price allocable to the meter which gives rise to the claim.

### **LIMITATION OF LIABILITY**

In no event, whether as a result of a breach of warranty, contract or alleged negligence, shall City Meter, Inc. be liable for special or consequential damages or any other damages, including but not limited to loss of profits or revenues, loss of use of the meter or costs of replacement. The following is the exclusive and sole limited warranty:

Failure in Service within one year of purchase:	Replacement with new unit at no cost upon return of meter to manufacturer.
---	--

Upon delivery of any meter unit found to have failed in service within one year of purchase due to defects in materials or workmanship to City Meter, Inc. 122 Industrial Drive, Orangeburg, S. C. 29115, freight prepaid, City Meter, Inc. shall replace the purchased meter system in new like kind and deliver the replacement metering system to the owner thereof, freight prepaid.

This is the sole and exclusive limited warranty and no other warranty is applicable either expressed or implied.